



KIT 85 Density Determination Kit



Overview

KIT 85 is a density determination kit intended for laboratory balances featuring a weighing pan with $\varnothing 85$ and $\varnothing 100$ mm.

This stainless steel accessory allows determining density of:

- solids (including granulates);
- liquids.

KIT 85 features an additional set of weighing pans for testing granulate of density higher, and lower than 1 g/cm³.

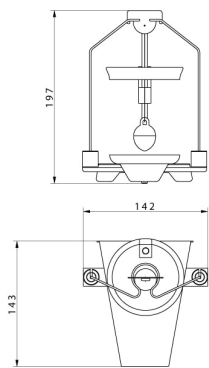
* Wi-Fi® is a registered trademark of Wi-Fi® Alliance.

Accessories

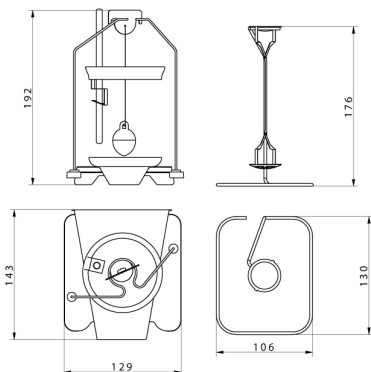
XA 4Y PLUS Analytical Balance
AS X2 PLUS Analytical Balance
XA 4Y.A PLUS Analytical Balance

AS R2 PLUS Analytical Balance
Analytical Balance for Filters XA 4Y.F
AS R1 PLUS Analytical Balances

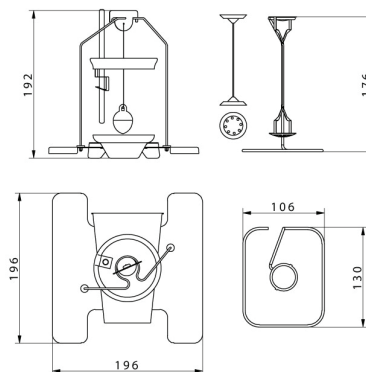
Device dimensions



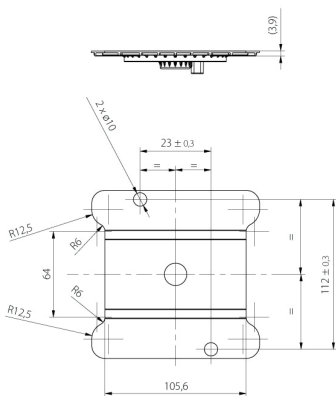
KIT 85



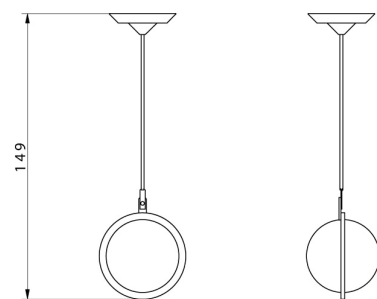
KIT 128



KIT 195




KIT 195.M



Granule density determination KIT

Authorized Partner... Limra Instruments

 G-8, Ground Floor Top Class Enclave CHS. Ltd.,
Opp Zudio Showroom, Bhoirdapada, Sativali Road,
Vasai East, Dist. Palghar-401208, Maharashtra.

 info@limrainstruments.com,
sales@limrainstruments.com,

 www.limrainstruments.com

 Customer Care - 7666114785



Scan For Website

Your Limra Representative

